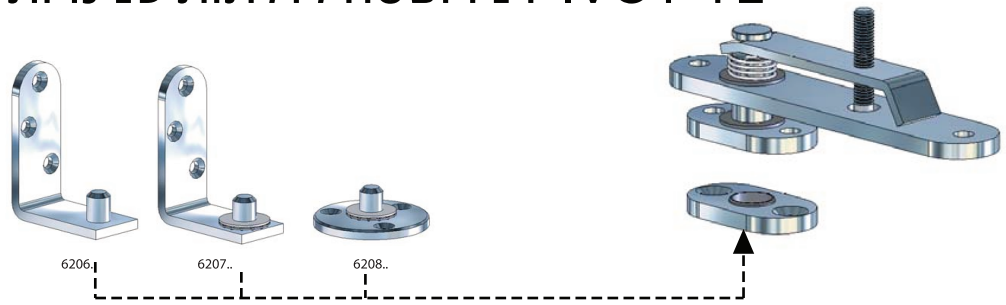
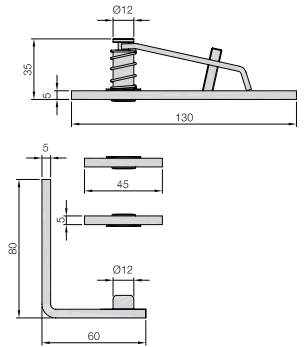


# KWS ציר PIVOT נירוסטה לדלתות פנימיות



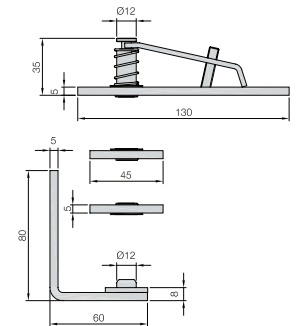
שח      KWS-6206.82      סט ציר PIVOT נירוסטה עם מיסבים ל-60 ק"ג לחיבור למשקוף.

6206..



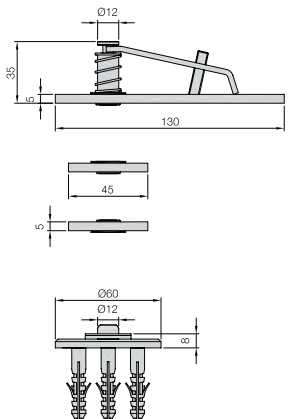
שח      477.86      KWS-6207.82      סט ציר PIVOT נירוסטה עם מיסבים ל-80 ק"ג לחיבור למשקוף.

6207..



שח      507.38      KWS-6208.82      סט ציר PIVOT נירוסטה עם מיסבים ל-120 ק"ג לחיבור לרצפה

6208..



# Installation Instructions

## Pivot Hinge Item No. 6206

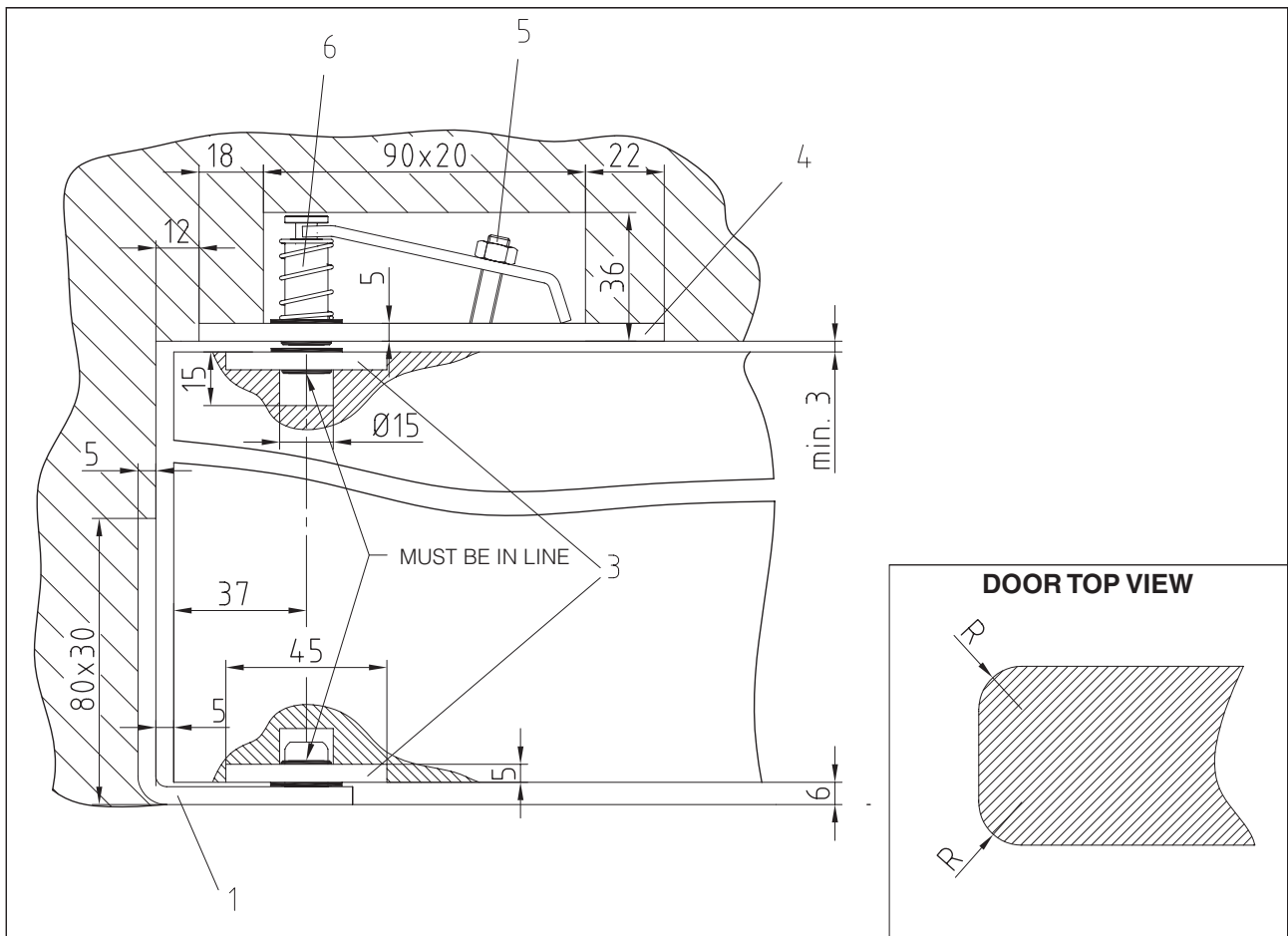


Diagram 1

Diagram 2

Door height = (internal frame height mm - 9 mm)  
 Min / Max door thickness - 25mm / 75mm  
 All measurements / dimensions in mm

R10-12 = door thickness 44  
 R12-15 = door thickness 54

### Installation:

Radius the hinge edge of the door with R... corners – see diagram 2.  
 Mortise the top and bottom edges of the door for plate #3 (45 x 25 x 5mm).  
 Mark the centre of the bush / pivot hole and drill a 15mm Ø x 15mm deep hole.  
**NOTE:** the centres of the bushes / pivot holes must be vertically in alignment.

Mortise the door frame for angle bracket #1 (80 x 30 x 5mm) and top pivot #4  
 (130 x 25 x 5mm / 90 x 20 x 36mm) then screw into position.  
**NOTE:** the centres of the pivots must be vertically in alignment.

Locate the door on the lower pivot and align the top pivot with the centre of the bush on the top of the door. Using the hex key provided, turn the upper screw #5, driving the upper pivot #6 approximately 15mm into the upper bush.  
**NOTE:** Do not over tighten the screw #5

# Installation Instructions

## Pivot Hinge Item No. 6207

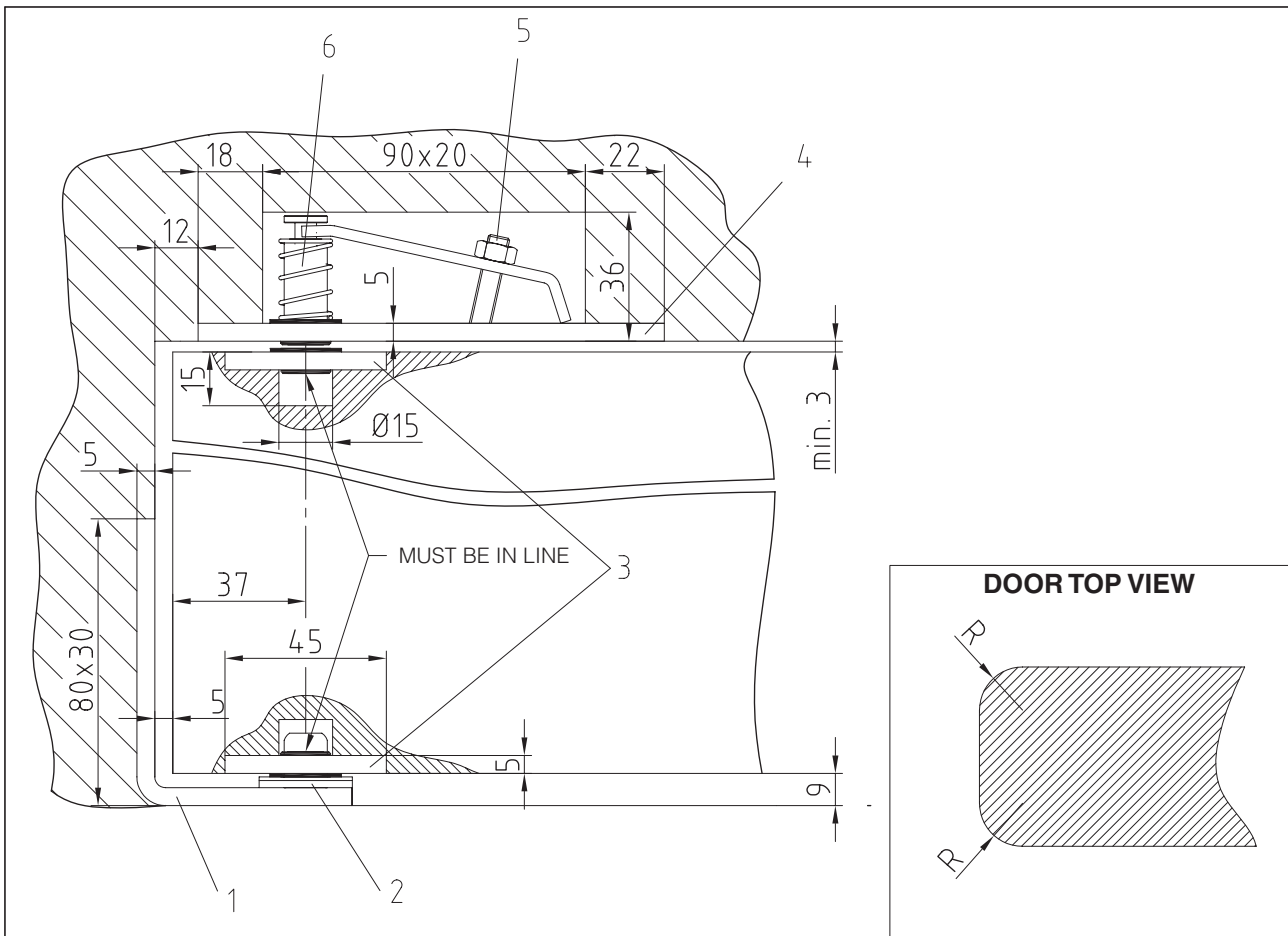


Diagram 1

Diagram 2

Door height = (internal frame height mm - 12 mm)  
 Min / Max door thickness - 25mm / 75mm  
 All measurements / dimensions in mm

R10-12 = door thickness 44  
 R12-15 = door thickness 54

### Installation:

Radius the hinge edge of the door with R... corners – see diagram 2.  
 Mortise the top and bottom edges of the door for plate #3 (45 x 25 x 5mm).  
 Mark the centre of the bush / pivot hole and drill a 15mm Ø x 15mm deep hole.  
**NOTE:** the centres of the bushes / pivot holes must be vertically in alignment.

Mortise the door frame for angle bracket #1 (80 x 30 x 5mm) and top pivot #4 (130 x 25 x 5mm / 90 x 20 x 36mm) then screw into position.  
**NOTE:** the centres of the pivots must be vertically in alignment.

Locate the needle bearings and covering washer #2 over the bottom pivot.  
 Locate the door on the lower pivot and align the top pivot with the centre of the bush on the top of the door. Using the hex key provided, turn the upper screw #5, driving the upper pivot #6 approximately 15mm into the upper bush.  
**NOTE:** Do not over tighten the screw #5

# Installation Instructions

## Pivot Hinge Item No. 6208

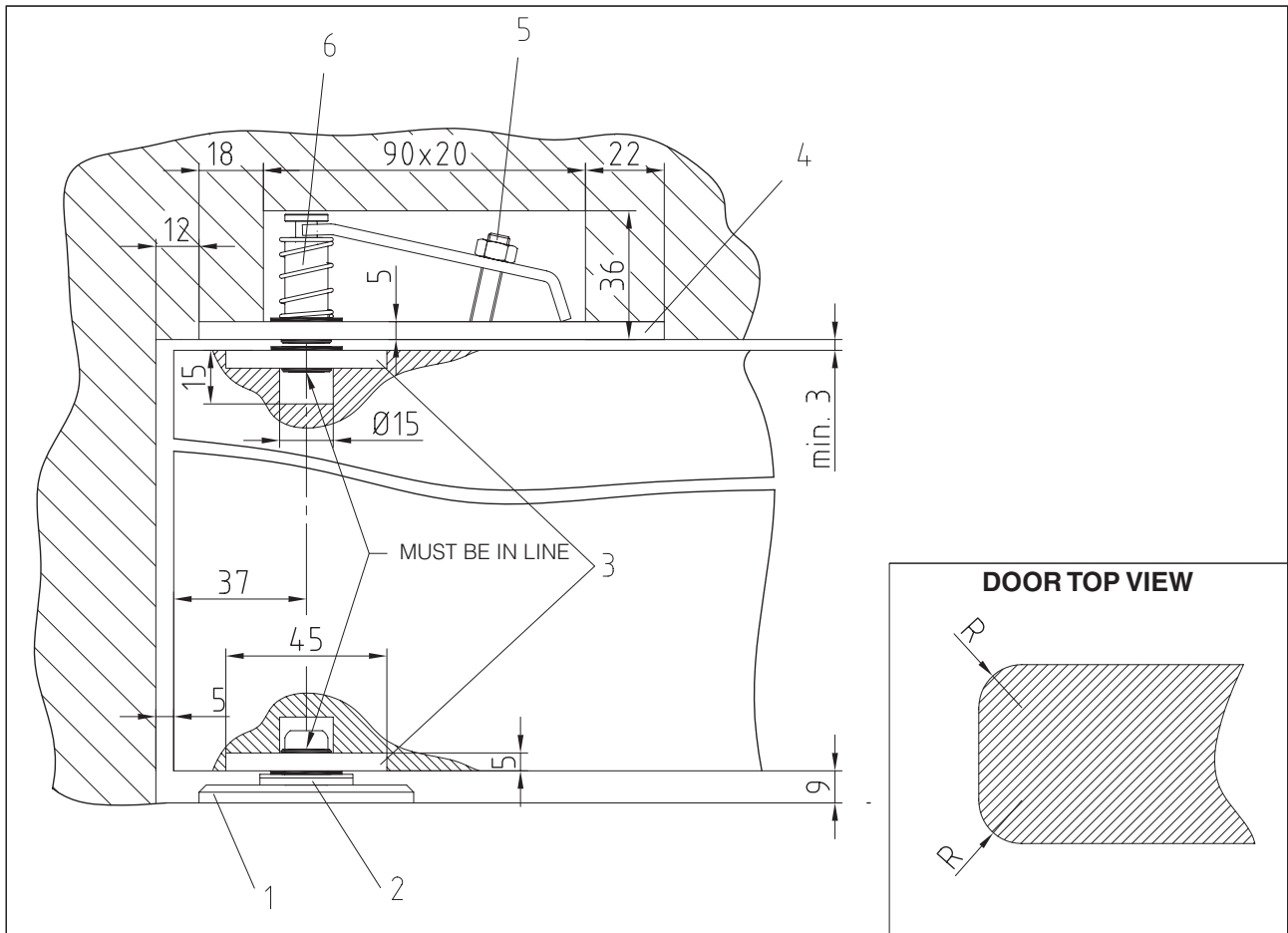


Diagram 1

Diagram 2

Door height = (internal frame height mm - 12 mm)  
 Min / Max door thickness - 25mm / 75mm  
 All measurements / dimensions in mm

R10-12 = door thickness 44  
 R12-15 = door thickness 54

### Installation:

Radius the hinge edge of the door with R... corners – see diagram 2.  
 Mortice the top and bottom edges of the door for plate #3 (45 x 25 x 5mm).  
 Mark the centre of the bush / pivot hole and drill a 15mm Ø x 15mm deep hole.  
**NOTE:** the centres of the bushes / pivot holes must be vertically in alignment.

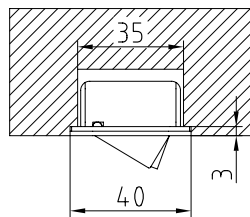
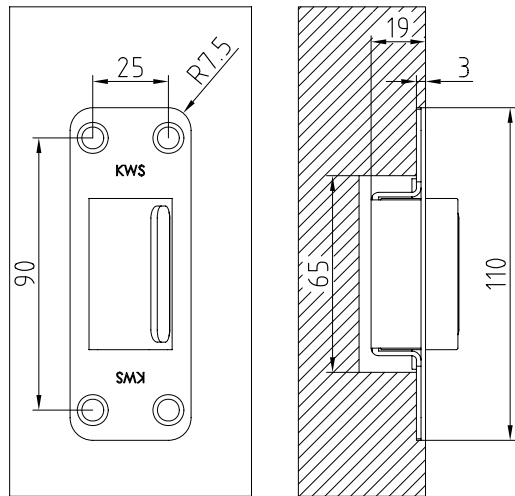
Mortice the door frame for angle bracket #1 (80 x 30 x 5mm) and top pivot #4 (130 x 25 x 5mm / 90 x 20 x 36mm) then screw into position.-  
**NOTE:** the centres of the pivots must be vertically in alignment.

Locate the needle bearings and covering washer #2 over the bottom pivot.  
 Locate the door on the lower pivot and align the top pivot with the centre of the bush on the top of the door. Using the hex key provided, turn the upper screw #5, driving the upper pivot #6 approximately 15mm into the upper bush.-  
**NOTE:** Do not over tighten the screw #5



### Installation Instructions

Emergency Release Item No. 6251..

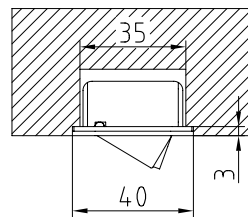
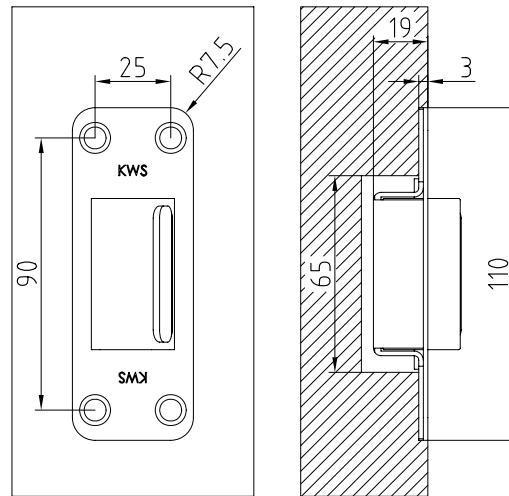


Woelm GmbH  
www.woelm.de  
contact@woelm.de



### Installation Instructions

Emergency Release Item No. 6251..

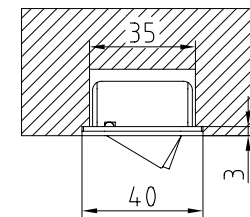
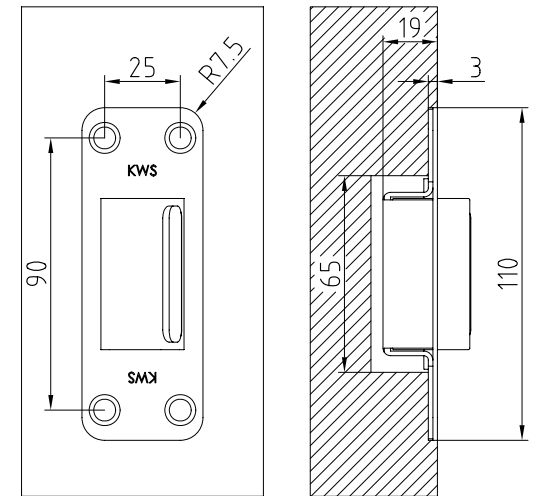


Woelm GmbH  
www.woelm.de  
contact@woelm.de



### Installation Instructions

Emergency Release Item No. 6251..



Woelm GmbH  
www.woelm.de  
contact@woelm.de